

- Back**
- o PushPull Power
  - o Flat Cable Connectors SEK
  - o *har-mik®*
  - o D-Sub
  - o InduCom

---

● **Applications**

---

## Product details

---

**09 03 264 6825**

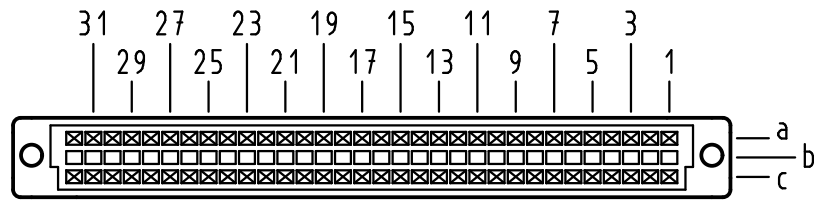
### **Backplane connector**

Type	Type C
Standard/Inverse	Standard
Contact gender	Female contacts
Size	Whole size
Number of contacts	64 poles
Contact arrangement	Rows a and c
Termination	Straight solder pins
Termination length	4.5 mm
Performance Class	Performance level 2 as per IEC 60603-2
Contacts	with contacts
Board fixing	Without fixing
Coding facility	without coding facility
Current	2 A max.
Clearance/ Creepage	1.2 / 1.2 mm min.
RoHS compliant	Yes

**Inquiry**

Alle Rechte vorbehalten/ All rights reserved

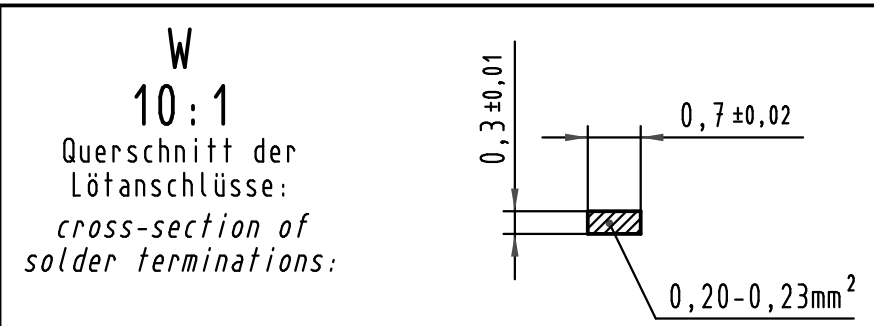
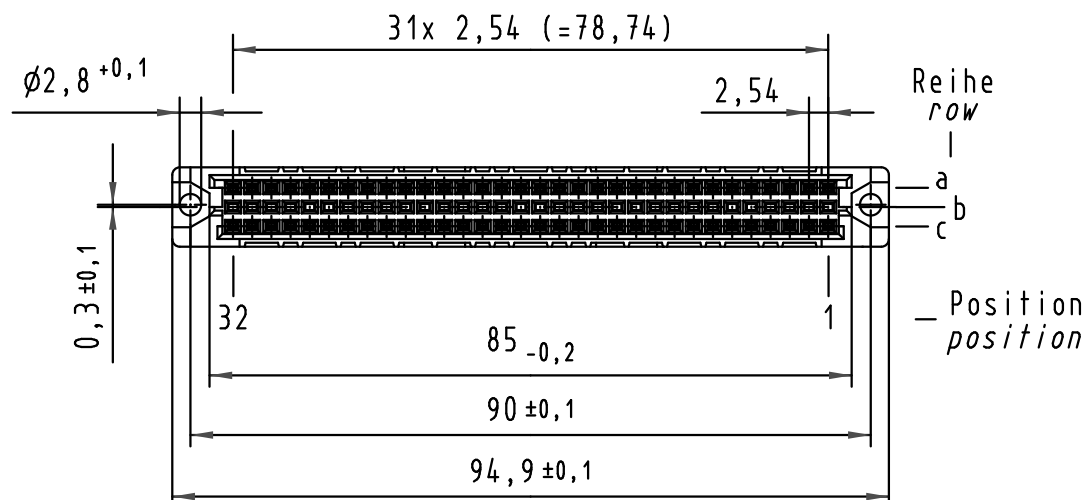
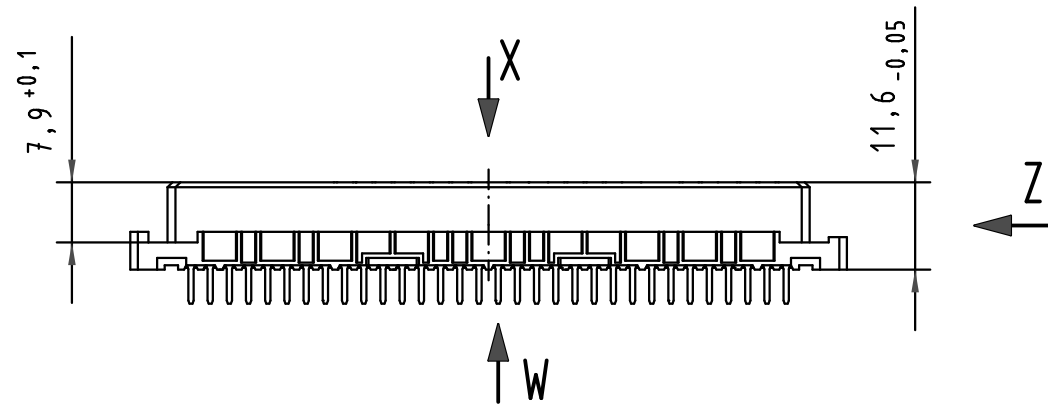
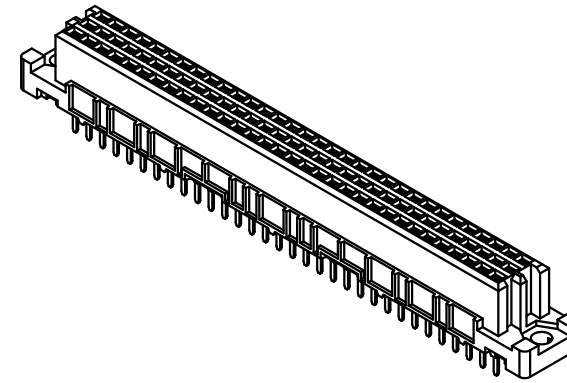
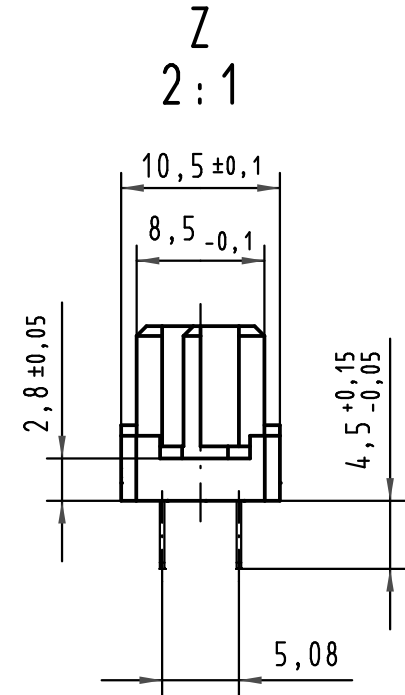
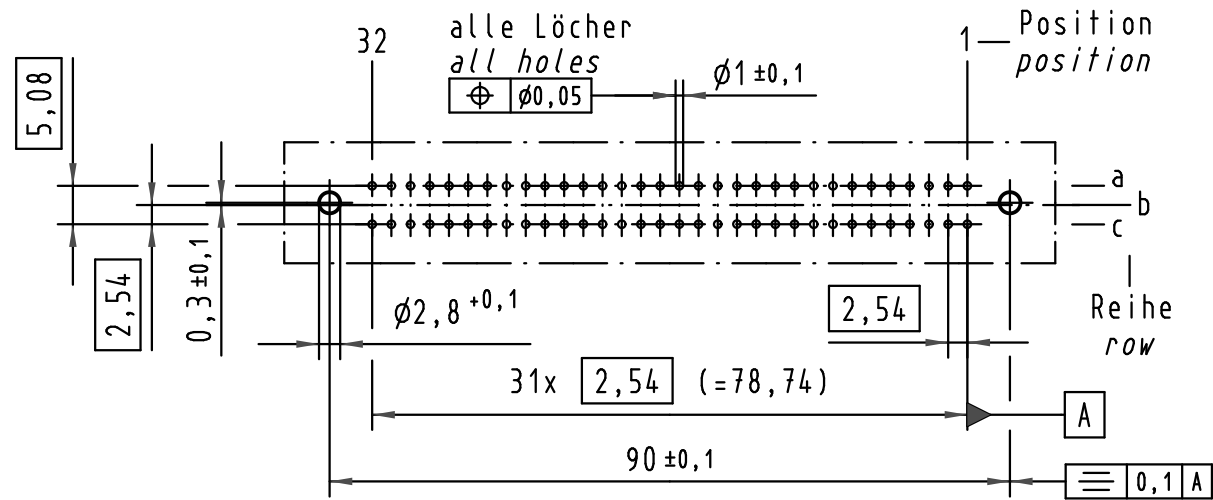
**X**  
Kontaktanordnung  
contact arrangement



64 Einlöt-Kontakte  
64 solder-contacts

- ☒ = Einlöt-Kontakt  
= solder-contact
- = kinked Einlöt-Kontakt  
= kinked solder-contact
- = Kontaktposition nicht belegt  
= position without contact

**X**  
(Lochbild)  
(board drillings)



09 03 264 <u>7</u> 825	3	Au über/over Ni
09 03 264 <u>6</u> 825	2	Au über/over Ni
09 03 264 <u>2</u> 825	1	Au über/over Ni
Bestell-Nr. part-no.	Anforderungsstufe nach IEC performance level acc.to IEC	Kontaktoberfläche contact plating

All Dimensions in mm Original Size DIN A 3			Techn. Character.			Nicht tolerierte Maßel/Free size tolerances IEC 60603-2	
34650	13.08.07	Cla		Dat.	Name	1:1 2:1 10:1	har-bus C Federleiste Einlöt 4,5 , 64 pol. har-bus C female connector solder 4,5 , 64 pol.
34158	18.01.07	LehT	Detail.	02.12.97	Dyc.		
30815	20.02.02	Rie.	Insp.	02.12.97	G.F.		
26080	31.08.99	Rie.	Stand.				
25071	22.10.98	Hm.	HARTING Electronics GmbH & Co. KG			TB 09 03 264 x825	Blatt/ page
22858			D-32339 ESPELKAMP				
Mod.	Dat.	Name				Sub.	